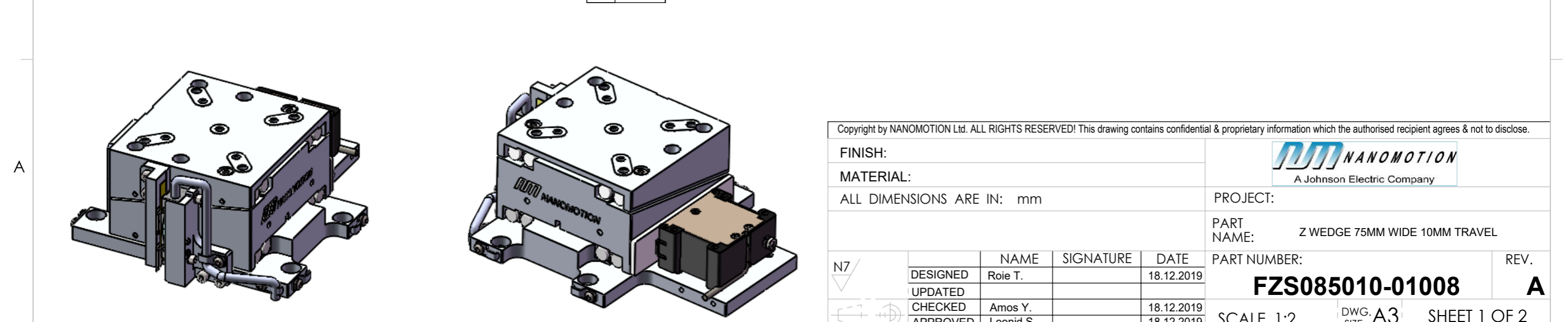
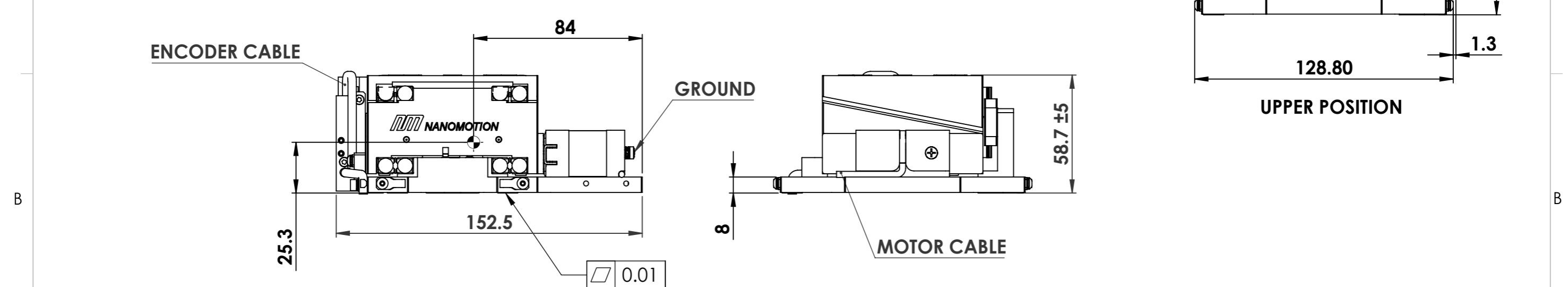
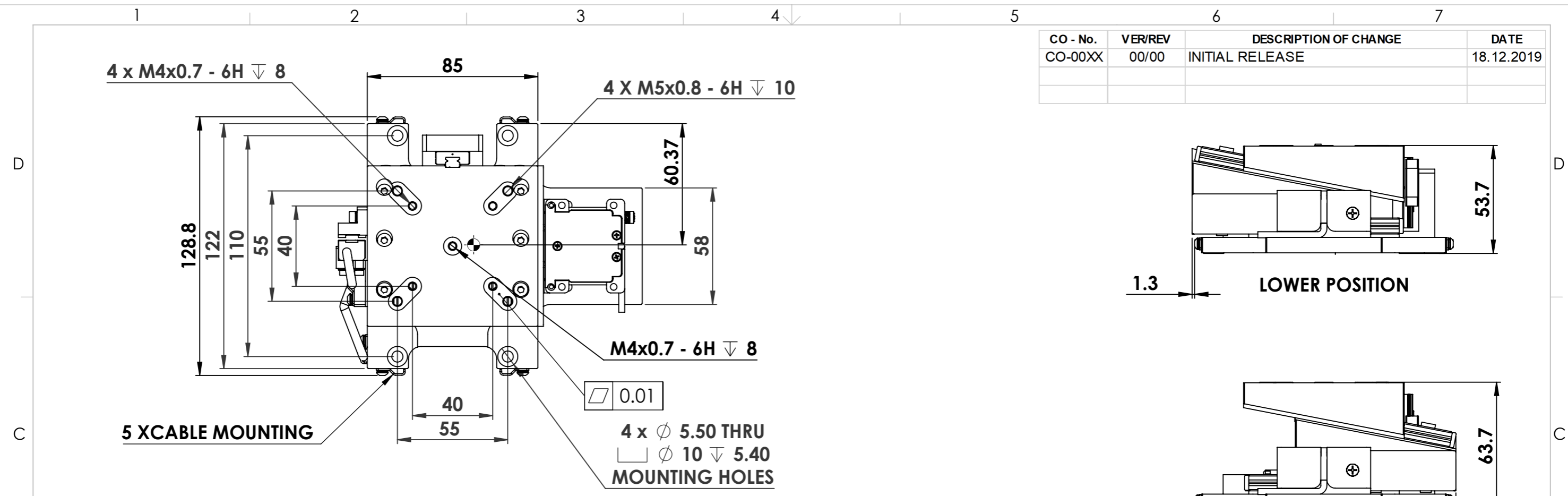



CO - No.	VER/REV	DESCRIPTION OF CHANGE	DATE
CO-00XX	00/00	INITIAL RELEASE	18.12.2019



Copyright by NANOMOTION Ltd. ALL RIGHTS RESERVED! This drawing contains confidential & proprietary information which the authorised recipient agrees & not to disclose.

FINISH:				 A Johnson Electric Company	
MATERIAL:					
ALL DIMENSIONS ARE IN: mm				PROJECT:	
				PART NAME: Z WEDGE 75MM WIDE 10MM TRAVEL	
				PART NUMBER:	
				REV. <b>A</b>	
DESIGNED Roie T. 18.12.2019 UPDATED CHECKED Amos Y. 18.12.2019 APPROVED Leonid S. 18.12.2019		NAME SIGNATURE DATE Roie T. 18.12.2019 Amos Y. 18.12.2019 Leonid S. 18.12.2019		<b>FZS085010-01008</b> SCALE 1:2 DWG. A3 SHEET 1 OF 2	

# TECHNICAL SPECIFICATIONS:

Mechanical Design Characteristics	
Stage Plate Structure	Aluminum-Black Anodize
Motor	Piezo Electric, Ultrasonic Standing Wave
Linear Bearings	Precision crossed roller with anti-migration device
Encoder	10 nm resolution, with home reference mark
Cable Lengths	3m
MTBF	30,000 hours
Stage Mass (g)	1,300
Moving Mass (g)	310

Performance Specifications	
Travel Range (mm)	10
Encoder Resolution (nm)	10
Bi-directional Repeatability (µm)	0.1
Maximum Velocity (mm/sec)	40
Straightness & Flatness (µm)	+/- 2
Pitch & Yaw (µrad)	+/- 30
Load Capacity (kg)	5

MOTOR CONECTOR- 9 pin D-type female		
Pin	Function	Description
1	GND	System ground
2	N.C.	With AB1A Driver - Phase
3	Motor-Up	White wire - High voltage input
4	Motor-Common	Black wire - High Voltage input for AB1A, GND for AB5 AB2 and AB4 drivers as well as XCD Controller/Drivers
5	Motor-Down	Red wire - High voltage input
6	Motor-Connected Safety input	Short pin 6 to pin 1 - enables Driver. Open on pin 6 - disables the Driver.
7	GND	System ground - Connected to connector hood
8	N.C.	Not connected
9	N.C.	Not connected

ENCODER CONNECTOR- D-Type 15 pin, MALE		
Pin #	Pin Name	Function
7,8	5V	Power
2,9	0V	
14	A+	Incremental signals
6	A-	
13	B+	
5	B-	Reference mark / Index
12	Z+/Q-	
4	Z-/Q+	Inner shield
15	Shield	
Case	Shield	Outer shield
1,3	N.C.	Not connected
10-11	N.C.	Not connected



PART NUMBER: **FZS085010-01008** REV. **A**

DWG. SIZE: **A3** SHEET 2 OF 2