

## AB7 Motor Amplifier

Nanomotion's AB7 driver is a single axis amplifier box to support up to 32 motor elements in parallel (4 x SE8 or HR8). Each driver has an internal personality board based on the motor type and number of motor elements.

The AB7 has been developed to support the new family of SE motors as well as HR motors, combining a range of operations that were previously supported by different drivers. Included in the driver is a user selectable operation for AC mode (AB1A), DC mode (AB2), Linear Mode (AB5) and UHR Mode (used in both AB1A & AB5). These modes are combined with a motor voltage resolution of 1/8000 noise at full command, which is a 10x improvement over previous drivers, supporting slow speed, constant velocity and high precision applications.



# AB7 Motor Amplifier

## TECHNICAL SPECIFICATIONS

Input Power:  
24V±5%

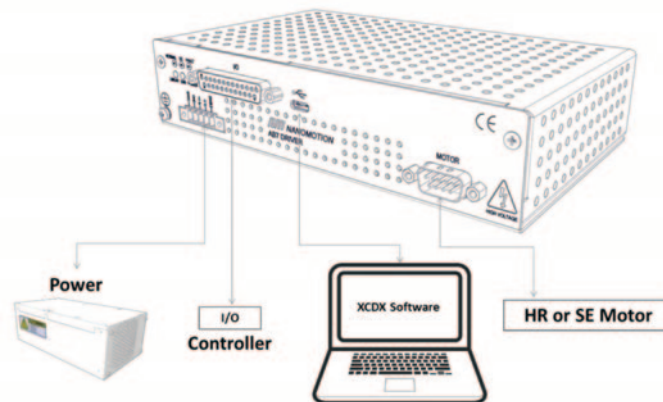
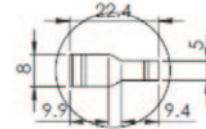
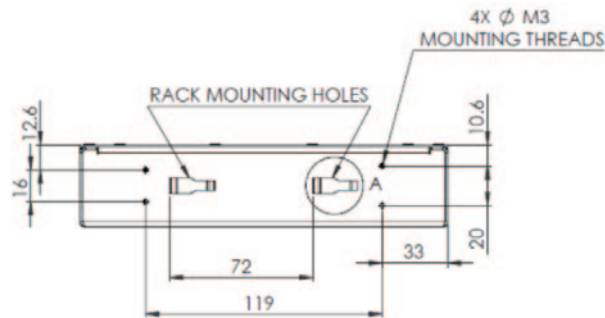
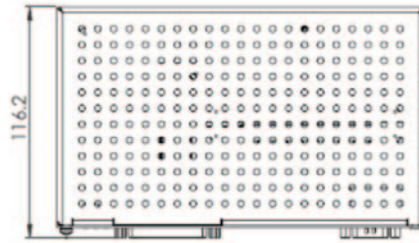
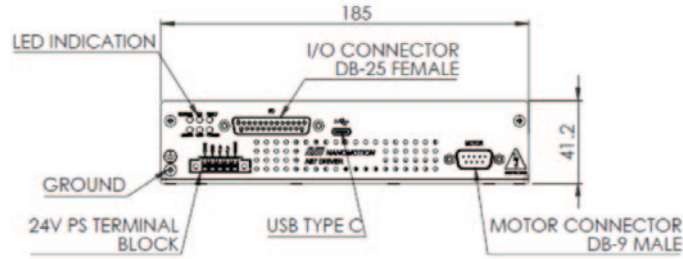
Maximum Current:  
(at full command)  
E2: 1 amp  
E4: 1.5 amps  
E8: 3 amps  
E16: 6 amps  
E32: 12 amps

INPUT SIGNAL  
±10V  
14 bit Command Resolution

OPERATING TEMPERATURE  
0°C to 50°C

## MECHANICAL DRAWINGS AND INTERFACE

All Dimensions are Shown in Metric



### Nanomotion Ltd. Worldwide Headquarters

Mordot HaCarmel Industrial Park  
Yokneam 20692 Israel  
t: +972 73 2498000  
f: +972 73 2498099  
e: nano@nanomotion.com

### Nanomotion Inc. U.S. Headquarters

1 Comac Loop, Suite 14B2  
Ronkonkoma, New York 11779  
t: (800) 821-6266  
t: (631) 585-3000  
f: (631) 585-1947  
e: nanoUS@nanomotion.com



www.nanomotion.com

**Nanomotion Ltd.**  
**Worldwide Headquarters**

Mordot HaCarmel Industrial Park  
Yokneam 20692 Israel  
**t:** +972 73 2498000  
**f:** +972 73 2498099  
**e:** nano@nanomotion.com

**Nanomotion Inc.**  
**U.S. Headquarters**

1 Comac Loop, Suite 14B2  
Ronkonkoma, New York 11779  
**t:** (800) 821-6266  
**t:** (631) 585-3000  
**f:** (631) 585-1947  
**e:** nanoUS@nanomotion.com



[www.nanomotion.com](http://www.nanomotion.com)